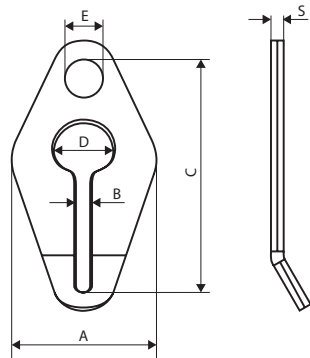
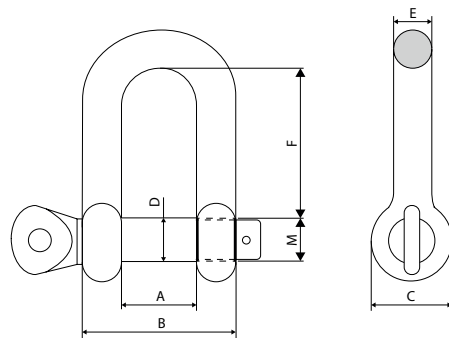


RAC Griffe raccourcisseur en INOX AISI 316 (G6)



Type	CMU (kg)	A (mm)	B (mm)	C (mm)	D (mm)	E (mm)	S (mm)	Poids (kg/pce/m)	No.article
RAC06-6/5	900	55	8	81	26	16	8.5	0.20	2686606
RAC08-8/7	1.600	71	11	110	34	22	10.5	0.57	2686608
RAC10-10	2.500	90	12	135	40	26	13	1.06	2686610
RAC13-13	4.250	112	17	170	52	32	16.5	2.20	2686613

RSH Manille droite en INOX AISI 316 (G6)



Type	CMU (kg)	A (mm)	B (mm)	C (mm)	D (mm)	E (mm)	F (mm)	M (mm)	Poids (kg/pce/m)	No.article
RSH005 500 KG	500	18	34	18	9	8	33	M10	0.07	2686901
RSH012 1250 KG	1.250	25	49	25	13	12	40	M14	0.22	2686903
RSH020 2000 KG	2.000	32	64	32	17	16	60	M18	0.52	2686905
RSH032 3200 KG	3.200	41	79	47	21	19	78	M22	0.80	2686907
RSH050 5000 KG	5.000	56	106	60	29	25	109	M30	2.20	2686909

RTI Plaque d'identification en INOX AISI 316 (G6)



Type	CMU (kg)	No.article
RTI01 1 brin	1900	2690020
RTI02 2-3-4 brins	1900	2690021