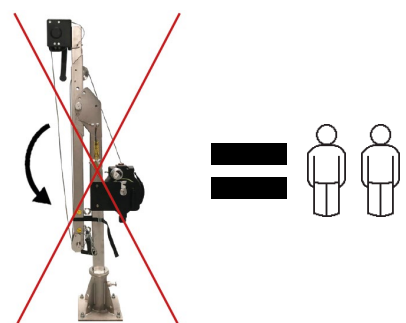
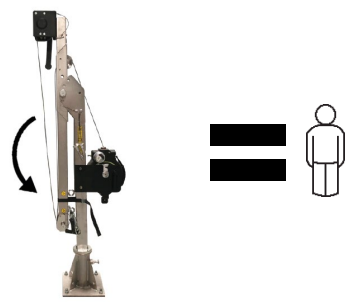
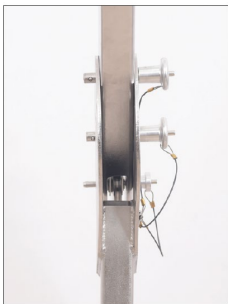
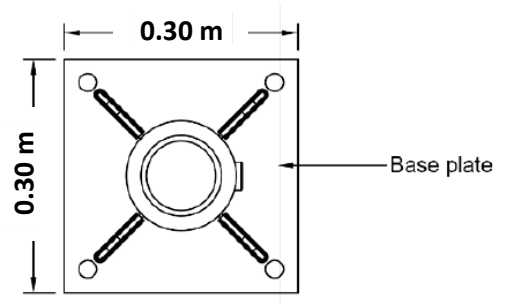
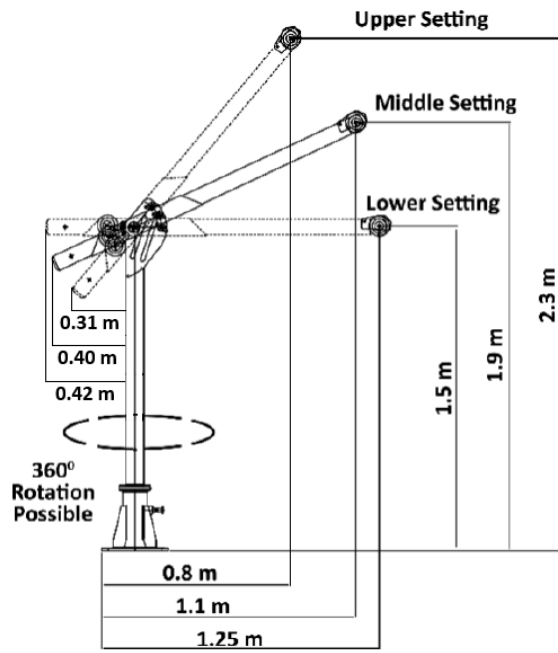
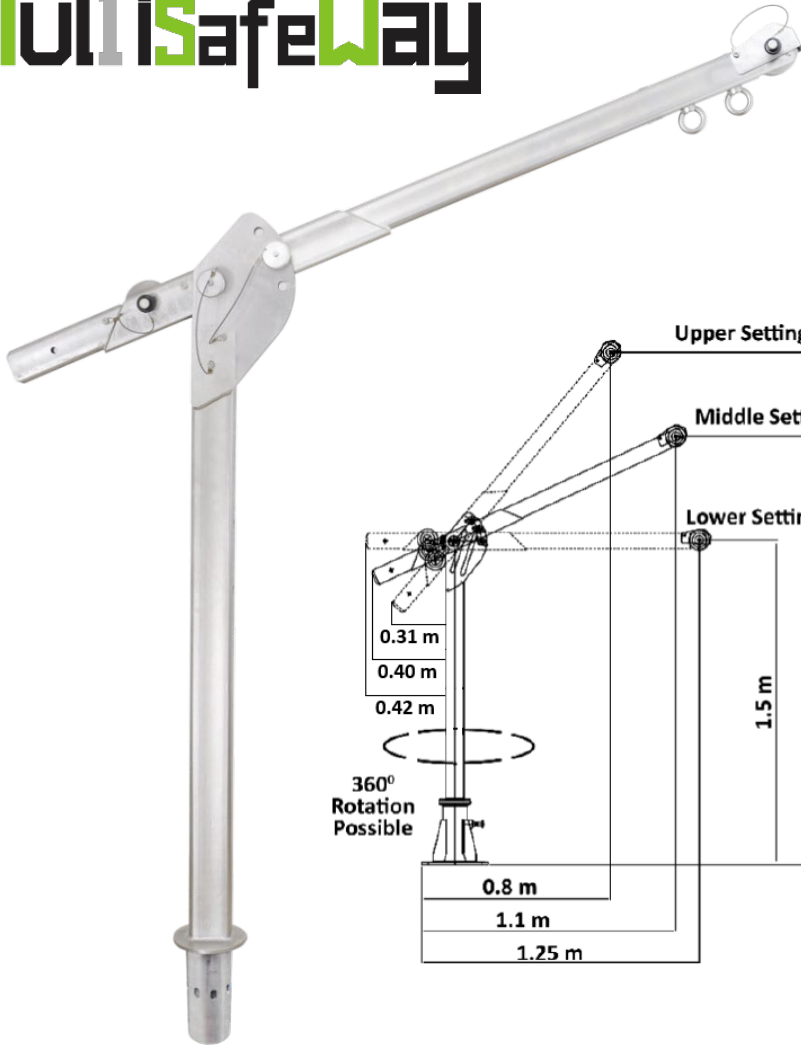










# MultisafeWay



<b>HS CODE</b>
7610 90 10
<b>CARTON SIZE / PCS.</b>
158 X 33 X 20 cm / 1
<b>Certificate of test SPC0223656/1414 I3 E1</b>
<b>Satra Technology Centre, N° 0321</b> Wyndham Way, Telford Way, Kettering Northamptonshire, NN16 8SD, United Kingdom
<b>ACKNOWLEDGEMENT OF RECEIPT N°1120/1/2020</b>
<b>Technická Inšpekcia, a.s. N°1354</b> Trnavská cesta 56, 821 01 Bratislava, Slovenská Republika

REF.	FA 60 022 00
CE	EN 795:2012 Type A.
	x1 / x2
 	300 KG
MAT.	
DIM. 	1.50m/1.90m/2.30m
R (kN) / MBS (kN)	15 kN / 16 kN
+	360° Rotation (8 positions)
	34.87 KG



**Nombre d'utilisateurs**  
Number of users  
**Cantidad de usuarios**  
Quantità di utilizzatori  
**Anzahl der Benutzer**



**Charge maxi admissible sous tête**  
Max. allowable load under head  
**Carga máxima admisible bajo cabezal**  
Peso massimale sotto la testa  
**Zulässige Höchstlast unter Kopf**

DIM. 

**Hauteur**  
Height  
**Altura**  
Altezza  
**Höhe**