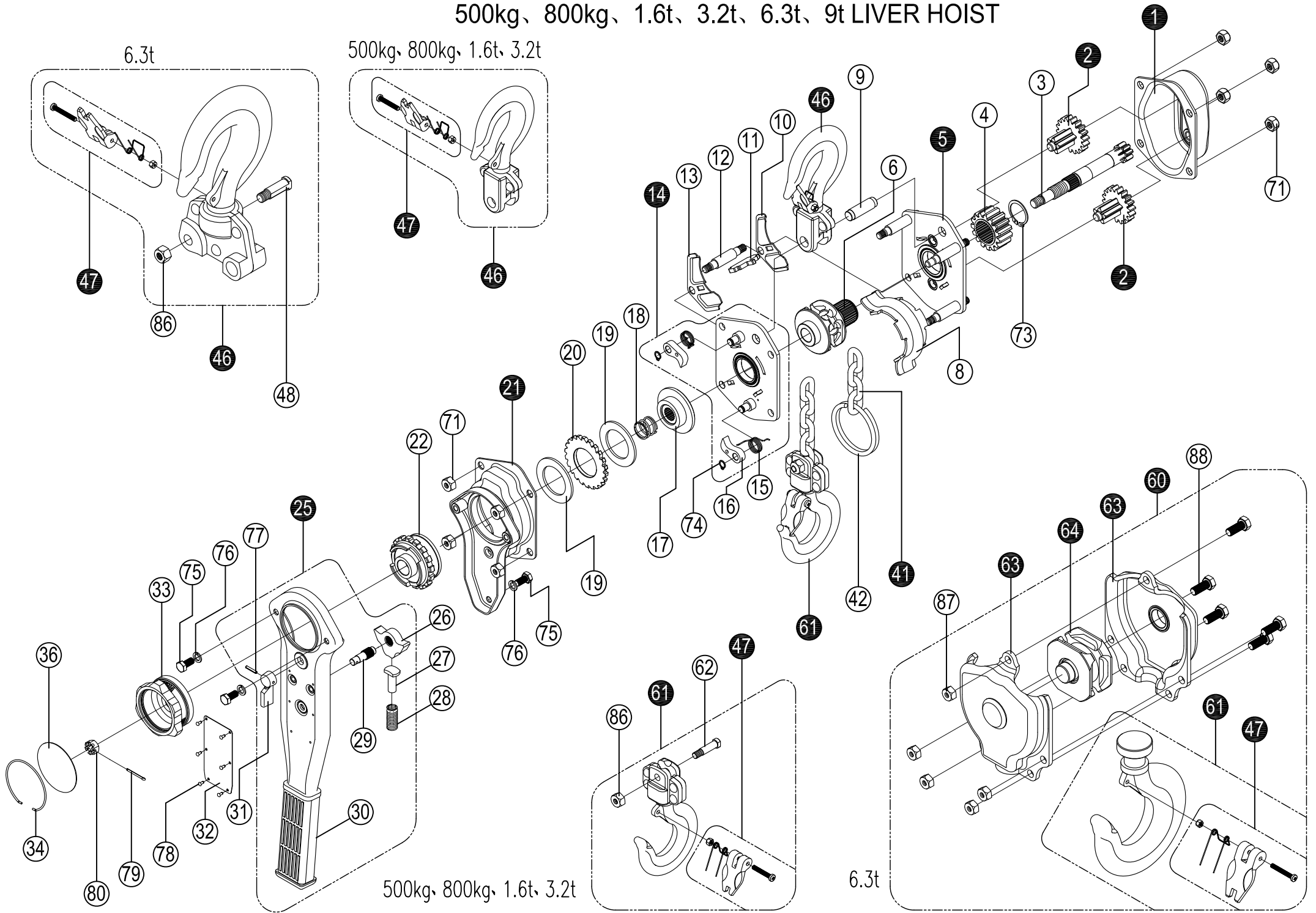
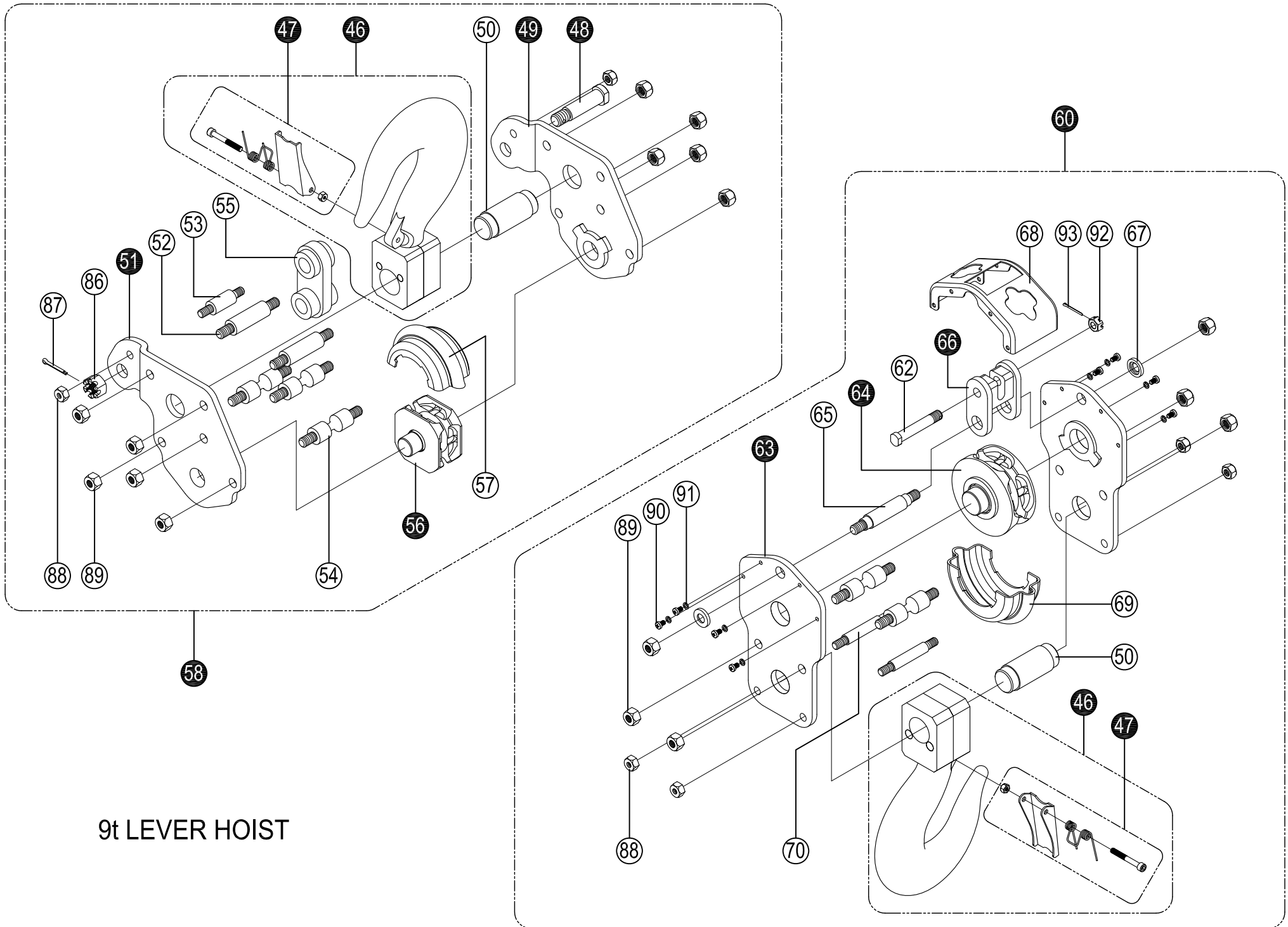


500kg、800kg、1.6t、3.2t、6.3t、9t LIVER HOIST

6.3t

500kg、800kg、1.6t、3.2t





9t LEVER HOIST



Work made easy.

HOISTING & LIFTING

Prod. Id	Description	Pos
4363401	S2/LH-3200KG-1 Gear cover assy	1
4363402	S2/LH-3200KG-2 Disc gear assy	2
4363403	S2/LH-3200KG-3 Drive shaft	3
4363404	S2/LH-3200KG-4 Splined gear	4
4363405	S2/LH-3200KG-5 Right side plate assy	5
4363406	S2/LH-3200KG-6 Load chain sprocket	6
4363408	S2/LH-3200KG-8 Chain guide	8
4363409	S2/LH-3200KG-9 Top hook shaft	9
4363410	S2/LH-3200KG-10 Chain leader A	10
4363411	S2/LH-3200KG-11 Chain stripper	11
4363412	S2/LH-3200KG-12 Stay bolt B	12
4363413	S2/LH-3200KG-13 Chain leader B	13
4363414	S2/LH-3200KG-14 Left side plate assy	14
4363415	S2/LH-3200KG-15 Pawl spring	15
4363416	S2/LH-3200KG-16 Pawl	16
4363417	S2/LH-3200KG-17 Break seat	17
4363418	S2/LH-3200KG-18 Free spring	18
4363419	S2/LH-3200KG-19 Friction plates (2 discs)	19
4363420	S2/LH-3200KG-20 Ratchet wheel	20
4363421	S2/LH-3200KG-21 Ratchet wheel cover assy	21
4363422	S2/LH-3200KG-22 Changeover ratchet wheel	22
4363425	S2/LH-3200KG-25 Handle assy	25
4363426	S2/LH-3200KG-26 Changeover pawl	26
4363427	S2/LH-3200KG-27 Spring pin	27
4363428	S2/LH-3200KG-28 Changeover spring	28
4363429	S2/LH-3200KG-29 Selector plate shaft	29
4363430	S2/LH-3200KG-30 Hand rubber grip	30
4363431	S2/LH-3200KG-31 Selector plate	31
4363632	S2/LH-9000KG-32 Namelate	32
4363433	S2/LH-3200KG-33 Hand wheel	33
4363434	S2/LH-3200KG-34 Steel wire retainer	34
4363636	S2/LH-9000KG-36 Hand wire retainer	36
4363642	S2/LH-9000KG-42 Casting Chain ring	42
4363647	S2/LH-9000KG-47 Safety latch assy	47
4363646	S2/LH-9000KG-58 Top hook assy	58
4363660	S2/LH-9000KG-60 Bottom hook assy	60
4363462	S2/LH-3200KG-62+86 Bottom hook pin+nut	62
4363471	S2/LH-3200KG-71 Metal lock nut M12	71
4363473	S2/LH-3200KG-73 Circlip M42	73
4363474	S2/LH-3200KG-74 Circlip M9	74
4363475	S2/LH-3200KG-75 Bolt M8x14	75
4363476	S2/LH-3200KG-76 Light spring washer 8	76



Work made easy.

HOISTING & LIFTING

4363477	S2/LH-3200KG-77 spring pin 3×18	77
4363478	S2/LH-3200KG-78 Nameplate rivet 2.5×6	78
4363479	S2/LH-3200KG-79 Split pin 2.5×25	79
4363480	S2/LH-3200KG-80 Hexagon recess nut M12	80
4363423	S2/LH-3200KG-FRICTION DISC A overload	
4363424	S2/LH-3200KG-FRICTION DISC B overload	